

PRINT DATE: Saturday, 24 April 2021



► VIEW DATASHEET ON-LINE www.chinesport.com/go/AV3121B3454G/

AV3121B3454G STAND-UP 200

This assistive device enables the user to assume and maintain an extreme upright position, and to move indoor with help by a caregiver.

It's indicated for users who are able to transfer themselves from a wheelchair or other sitting position to the standing aid seat unaided, but do not have much lifting strength. They have sufficient balance but no lifting effort can be asked for.

The end user is lifted into a standing position by means of a (rechargeable) battery-powered electric motor operated by hand control. The long side handles can be helpful for restraint during the lifting and at first stage to support for user in the transfer onto the footplates of the device. The device is provided with a safety sensor for the user to stop the lifting sequence at any time.

A series of adjustments without tools ensure the aid can be adapted to the user's morphological characteristics. In particular, the main frame along with the knees, hand and trunk supports are adjustable to the user's height by a second electric actuator to totally avoid any efforts by caregiver.

For better stabilization at trunk and hips level the long side handles can be adjusted in width and integrated with padded elements as accessory. The seat is adjustable in depth. The device is fitted with a wide service tray adjustable in tilt. The seat and service tray can be fitted with padded covers (please see accessories).

Alternative model is the STAND UP 100 featured by servo-assisted gas-spring system to easily adjusting the main frame in height instead of a second electric actuator.

Dimensions: 103.5 x 75 x 98 ÷ 146 h cm. Weight: 64 kg. Max load: 140 kg. User height: 140 ÷ 200 cm.



NOTE


A demonstration video of the main performances, and in particular for the lifting and adjustment methods of the entire frame to the height of the end user, is available with reference to a previous version (AV114410/STAND UP 4410) corresponding to and replaced by this model.

Technical specifications and dimensions

Dimensions :	103.5 x 75 x 98 ÷ 146 h cm
Base accessibility :	63 cm (enlarged)
Front and rear wheels diameter :	Ø 7.5 cm (transfer)
Ground handling :	assisted
Type of handling :	manual
Structure height adjustment :	electric
Servo-assisted verticalization :	electric
Autonomy of continuous use :	190 min
Internal / external base width :	63 - 75 cm
Capacity :	140 kg
Weight :	64 kg

Documentation available online

Manual - Benutzer- und Wartungshandbuch German	 .PDF 2.88 MB
Manual - Manual de uso y mantenimiento Spanish	 .PDF 1.87 MB
Manual - User and maintenance manual English	 .PDF 2.03 MB
Manual - Manuale d'uso e manutenzione Italian	 .PDF 1.91 MB
Manual - Manual de uso y mantenimiento Spanish	 .PDF 1.9 MB
Compliance statement - Declaration of conformity Italian, English	 .PDF 100.1 KB

 The document is ready for download in reserved area.

Accessories



AC0686 ADJUSTABLE HEEL RESTS

Back support and guidance for the feet, adjustable in width independently. Usable only with metal footplates. Supplied with foot strap for stabilizing the foot. Available in pairs.



AC0689 COLOURED PADDINGS

Made of soft foamed material with synthetic leather upholstery. The padding is applied to the specific metal structure. Available in three colours. Available in pairs.



AC0691 ADJUSTABLE SHORT SEAT

Hold the user safely while lifting. 24 cm long seat. Adjustable in depth.



AC0543 SHORT SEAT PADDING

Standard short padding seat for more comfort. For those who consider themselves high-risk where decubitus is concerned or with pain problems while seating.



AC0871 TOILET SEAT

Removable toilet seat for Struzzo



AC0690 ADJUSTABLE LONG SEAT

Reduce or eliminate the distance gap between the user on the wheelchair and the standing frame. 36 cm long seat. Adjustable in depth.



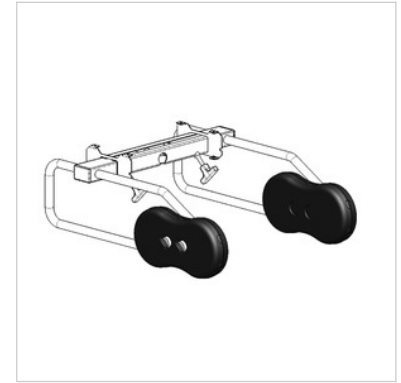
AC0544 LONG SEAT PADDING

Padding for long adjustable seat for more comfort. For those who consider themselves high-risk where decubitus is concerned or with pain problems while seating.



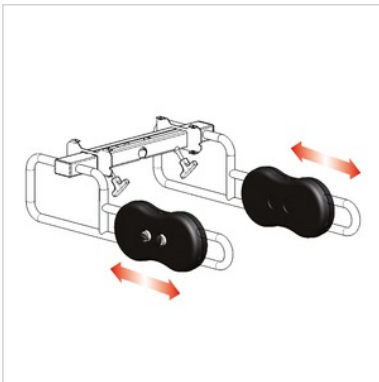
AC0048 POCKET FOR LONG SEAT

Pocket for long seat to facilitate the transfer from the wheelchair.



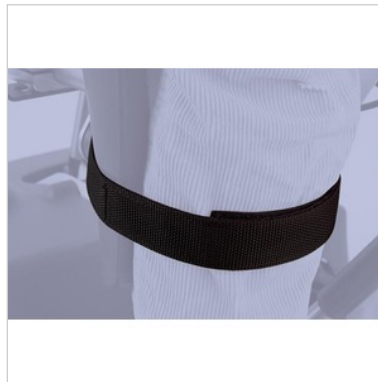
AC0049 LATERAL SUPPORTS

Soft supports for the lateral restraint.



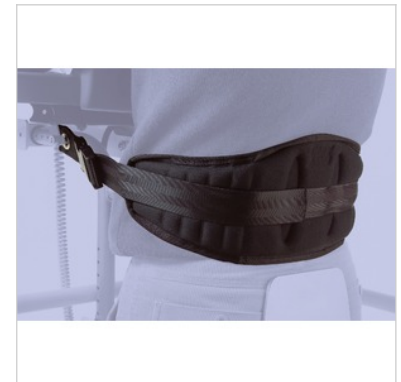
AC0702 ADJUSTABLE LATERAL SUPPORTS

Soft supports for the lateral restraint. Adjustable in depth along the long handles.



AC0014 LEG STRAP

Leg strap to stabilize the leg. Available in pairs.



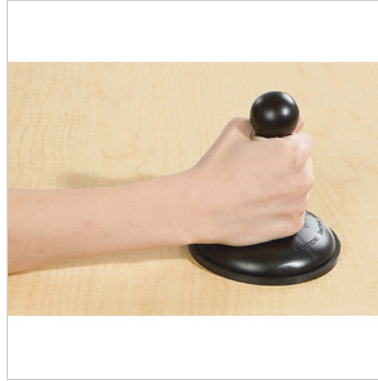
AC0783 BACK STRAP

Back restraint strap. Applied by an assistant. One size only.



AC1216 TRUNK SUPPORT

Broad support in the absence of adequate control of the trunk by the user. Adjustable in depth.



01608 HAND ANCHOR

This ergonomic anchor can be applied to any smooth surface to achieve greater stability and safe positioning of the hand.