

# Luminos<sup>TM</sup>

## TABLE LAMP

Fact Sheet



The brightest in the Daylight range, Luminos offers a very high light output and an exceptionally wide spread of light. Ideal for illuminating a large area. Its ergonomic design allows you to position and angle the shade exactly where needed, effortlessly. Extra long reach, extra bright, extra resistant.

---

LED 6,000 K daylight

---

---

3,800 Lux at 30cm (12")

---

---

3 brightness levels

---



LIGHT QUALITY



ERGONOMICS



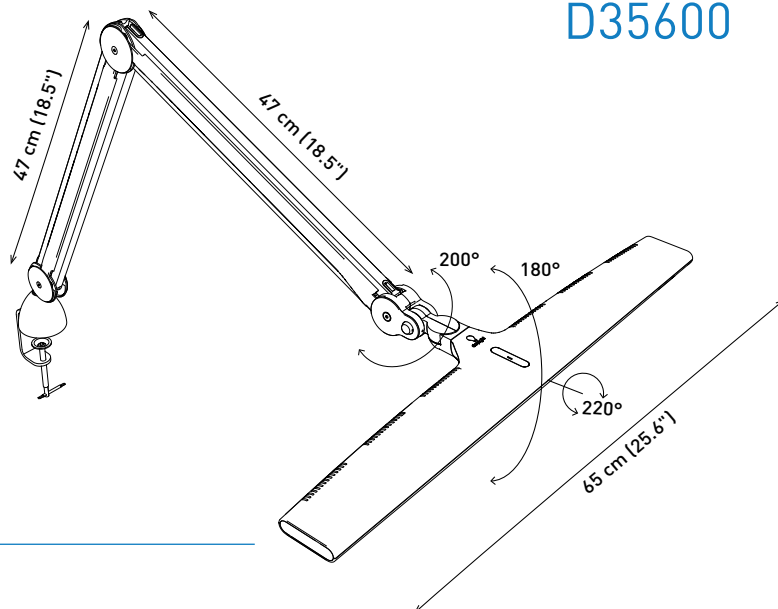
DESIGN

[daylightcompany.com](http://daylightcompany.com)

# Luminos™

## TABLE LAMP

D35600



## FEATURES

- Extra wide shade for an even spread of light over a large area
- 120 powerful daylight LEDs for true colour matching
- 3 brightness levels – 3,800 – 2,300 and 1,200 Lux
- Multi position head to direct the light where needed
- Heavy duty arm with reinforced joints and covers
- Long reach 112 cm

## SPECIFICATIONS

### Product information

Weight	3.2 kg (7.1 lb)
Colour	Grey/white
Cable length	2.4 m (94.5")

### Light output

Light source	LED
Lumens	1,566 lm
Lux at 30 cm (12")	3,800
Colour temperature	6,000 K
CRI	80+
Energy consumption	20W

### Packaging information

Height	40.5 cm (15.9")
Width	91.5 cm (36")
Depth	11 cm (4.3")
Packed weight	4.6 kg (10.2 lb)
Products per master carton	2